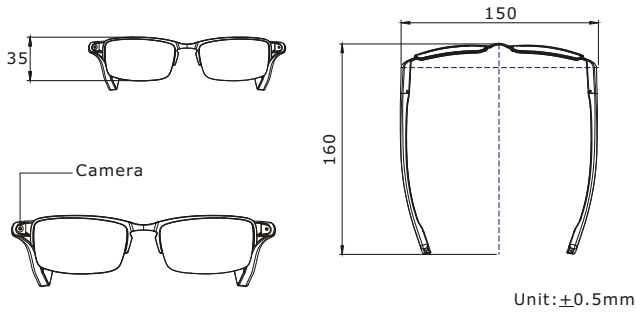


GLASSES COLOR CAMERA MANUAL



1. Camera.....1pcs
2. Lens cleaning cloth.....1pcs
3. Cable accessory.....1pcs

▶ Instruction Drawing & Description:

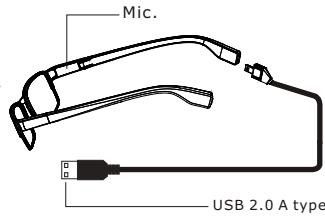


Specification

Image Sensor	1/6" Digital CMOS Camera Module
Number Of Effective Pixels	1920x1080@ 30fps MJPG/ 3fps YUV 1280x720@ 30fps MJPG/ 12fps YUV 640x480@ 30fps MJPG/ 30fps YUV 320x240@ 30fps MJPG/ 30fps YUV
Pixel size	1.4 umx 1.4 um
Image area	2.7288x1.5498mm
Scan mode	Progressive
Sensitivity	553 mV/(Lux-sec)
Dynamic range	73.3 dB @ 15.5x gain
UVC format	MJPEG
Built-In Lens	1.83mm/F2.0(M4xP0.2)
View angle	H= 70° ; V= 42°7' ; D= 77°3'
Focus Distance	Infinity
Cable length	300cm
LED	N/A
Storage Temperature	-30 to 60 Degree C
Working Temperature	-10 to 45 Degree C
Power Supply	DC 5 V
Power Current	160 mA
Microphone	Built-in

▶ PC Requirements:

- Driver free (USB Video Class) for any OS(MAC OS, Windows10, Windows8, Windows7, Windows XP, Linux, Andriod)
- Play & Plug with USB Video Class
- Available USB A type



Do not fold the frame when using the camera. Folding may cause signal disconnection.

